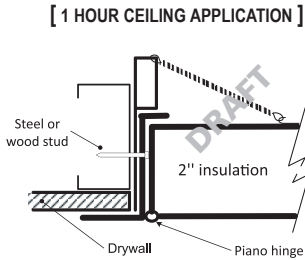
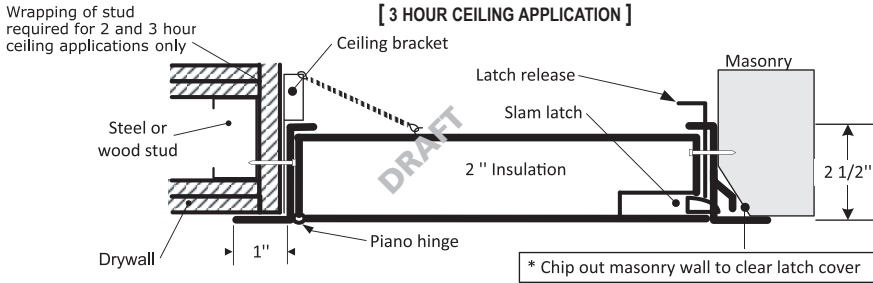


FIRE RATED INSULATED ACCESS DOOR FOR ALL SURFACE TYPES



INSTALLATION: WALLS AND CEILINGS



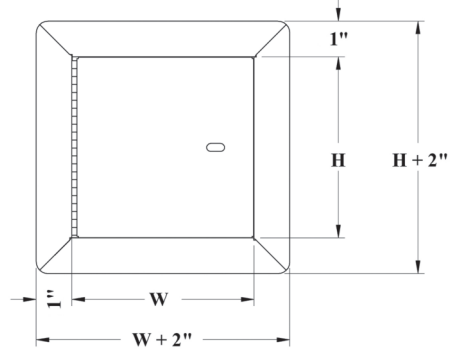
Authorities Having Jurisdiction (AHJ) should be consulted in all cases as to the particular requirements covering the installation and use of fire rated access doors.

DIMENSIONS AND APPEARANCE

LEED ready: This product contributes to LEED® credits.

ACCESS DOORS
MADE FAST!

DOOR SIZE W x H inches (MM)	NUMBER OF LOCKS	WEIGHT	
		LBS	KG
8 x 8 (203 x 203)	1	7	3.2
10 x 10 (254 x 254)	1	8	3.6
12 x 12 (304 x 304)	1	10	4.5
14 x 14 (355 x 355)	1	12	5.4
16 x 16 (406 x 406)	1	14	6.4
18 x 18 (457 x 457)	1	17	7.7
22 x 22 (558 x 558)	1	20	9.1
22 x 30 (558 x 762)	1	30	13.6
22 x 36 (558 x 914)	2	34	15.5
24 x 24 (609 x 609)	1	28	12.7
24 x 36 (609 x 914)	2	36	16.4
* 24 x 48 (609 x 1219)	2	48	21.8
* 30 x 30 (762 x 762)	1	40	18.1
* 32 x 32 (812 x 812)	2	43	19.5
* 36 x 36 (914 x 914)	2	50	22.7
* 48 x 48 (1219 x 1219)	2	83	37.7



Rough wall opening is door size + 1/4" or + 6mm
*Not available for ceiling rating (maximum 24"x36")



DESCRIPTION AND MATERIAL SPECIFICATION

FIRE RATING: For installation in vertical wall assemblies:
 CERTIFIED TO STANDARDS: UBC 7-2 (1997), UL 10B (1997), UL 10B (2009), NFPA 252 (2003), NFPA 252 (2008), NFPA 252 (2012), CAN/ULC S104 (R1985), CAN/ULC S104 (2010).
 RATING ACHIEVED: 3 hours, neutral/negative pressure.
 MAXIMUM SIZE: 48" wide x 48" high (1219 mm x 1219 mm). Maximum area of 2304 in². Tolerance on height and width limitation is ± 3" (76 mm) as long as the area does not exceed 2304 in².
 TEMPERATURE RISE: 250°F (121°C) after 30 min. 450°F (232°C) after 60 min.

FIRE RATING: For installation in horizontal ceiling assemblies:
 CERTIFIED TO STANDARDS: ASTM E119 (2012), CAN/ULC S101 (2007).
 RATING ACHIEVED: 3 hours in non-combustible construction.
 1 hour in combustible construction.
 MAXIMUM SIZE: 24" x 36" (hinges & latch on 36" long sides) (610 mm x 914 mm). Tolerances on dimension limitations are ± 3" (76 mm) as long as the area does not exceed 864 in².
 TEMPERATURE RISE: Not applicable.

- Material:** 16 gauge cold rolled steel frame and 20 gauge galvalneal steel door
- Insulation:** mineral wool
- Hinge:** continuous piano hinge
- Lock / latch:** self latching tool-key operated slam latch and/or ring operated slam latch, both included
- Inside panel release:** standard on all doors over 12" x 12"
- Automatic panel closer:** standard on all doors
- Finish:** high quality white powder coat primer
- Packaging:** individually wrapped, 1 per box

- POPULAR OPTIONS:**
- Material:** stainless steel #4 (brushed finish)
 - Lock / latch:** handle operated slam latch, mortise preparation for cylinder (cylinder optional), hex head slam latch, mortise deadbolt lock.

Masonry anchor: available on all sizes



PROJECT DATA

PROJECT NAME:	QTY	W	H	OPTIONS
ARCHITECT:				
DEALER:				
CONTRACTOR:				
LOCATION:	SPECIAL INSTRUCTIONS:			
DATE:				
TAGGING INSTRUCTIONS:	SUBMITTAL APPROVAL: (signature or stamp)			

Office/Warehouse: 350 Thorens Avenue, Garden City Park, NY 11040
Warehouses: California, Colorado, Florida, Illinois, Pennsylvania, Texas

Tel.: 516-294-1801
 Fax: 516-294-1828

Toll Free Phone: 888.634.3667
 www.metropolitandoor.com