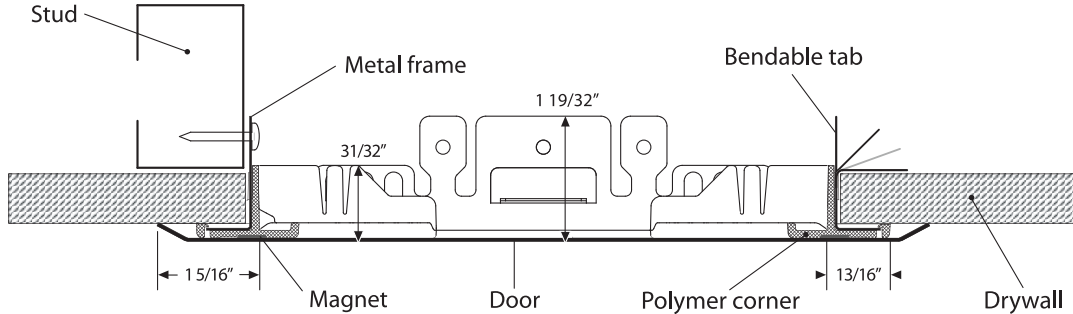


**REVOLUTIONARY ADJUSTABLE
GENERAL PURPOSE ACCESS DOOR**

FLEXISNAP

INSTALLATION

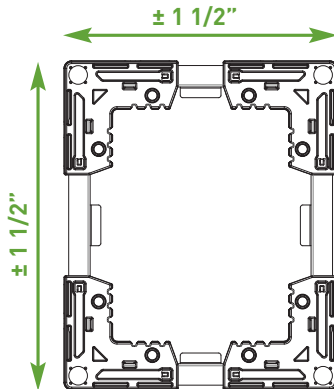


APPEARANCE

LEED V4 Compliant

**ADJUSTABLE
TO DIFFERENT
OPENING SIZES**

**FOR SQUARE OR
RECTANGULAR
OPENINGS**



DESCRIPTION AND MATERIAL SPECIFICATION

- Material:** Door panel: 20 gauge cold rolled steel
Frame: 24 gauge galvanized steel frame with notched knock-over tabs
Corners: polymer
- Lock / latch:** 4 magnets, 1 per corner
- Adjustable Frame:** Increments of 3/8 th
- Finish:** high quality white powder coat primer
- Cable:** 2 security cables
- Packaging:** Individually wrapped, 4 per box, pre assembled

EASY 2 MINUTE INSTALLATION

**POWERFUL MAGNETS HOLD THE
STURDY METAL PANEL IN PLACE**

**QUALITY FINISH PROVIDES
A SUPERIOR AESTHETIC LOOK**

DIMENSIONS

PRODUCT CODE	FOR OPENINGS W" X H"		SHIPPING WEIGHT		PANEL SIZE	UPC CODE / 1 DOOR	UPC CODE / PKG. OF 4
	INCHES (MM)	INCHES (MM)	LBS	KG			
FLE 6.5X8-W	6.5 x 6.5 (165 x 165)	to 8 x 8 (203 x 203)	7	3,80	10 1/4 x 10 1/4	764728451383	10764728451380
FLE 10.5X12-W	10.5 x 10.5 (266 x 266)	to 12 x 12 (304 x 304)	13	5,90	14 1/4 x 14 1/4	764728451390	10764728451397
FLE 14X15.5-W	14 x 14 (355 x 355)	to 15.5 x 15.5 (393 x 393)	17,48	7,93	17 3/4 x 17 3/4	764728451055	10764728451052