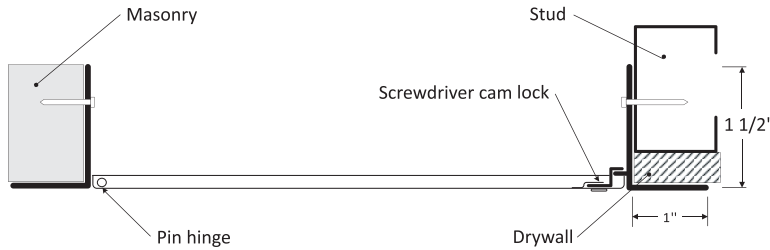


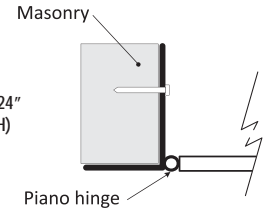
STANDARD ACCESS DOOR
STAINLESS STEEL: TYPE 304 x # 4 FINISH

AHD-SS

INSTALLATION



PIANO HINGE
 ON DOORS OVER 24"
 (HEIGHT OR WIDTH)

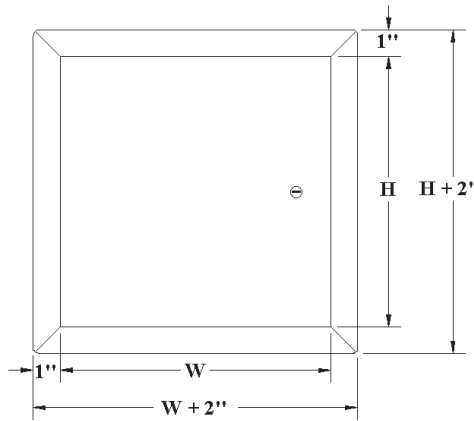


DIMENSIONS AND APPEARANCE

LEED ready: This product contributes to LEED® credits.

ACCESS DOORS
 MADE FAST!

| DOOR SIZE W x H inches (MM) | NUMBER OF LOCKS | WEIGHT LBS | KG |
|--------------------------------|--------------------|---------------|------|
| 6 x 6 (152 x 152) | 1 | 2 | 0.9 |
| 8 x 8 (203 x 203) | 1 | 3 | 1.4 |
| 8 x 12 (203 x 304) | 1 | 4 | 1.8 |
| 10 x 10 (254 x 254) | 1 | 4 | 1.8 |
| 12 x 12 (304 x 304) | 1 | 5 | 2.3 |
| 12 x 16 (304 x 406) | 1 | 6.2 | 2.8 |
| 12 x 18 (304 x 457) | 1 | 7 | 3.2 |
| 12 x 24 (304 x 609) | 1 | 8 | 3.6 |
| 14 x 14 (356 x 356) | 1 | 7 | 3.2 |
| 16 x 16 (406 x 406) | 1 | 8 | 3.6 |
| 18 x 18 (457 x 457) | 1 | 9 | 4.1 |
| 18 x 24 (457 x 609) | 1 | 13 | 5.9 |
| 20 x 20 (508 x 508) | 1 | 11 | 5. |
| 22 x 22 (558 x 558) | 1 | 13 | 5.9 |
| * 22 x 30 (558 x 762) | 2 | 17 | 7.7 |
| * 22 x 36 (558 x 914) | 2 | 19 | 8.6 |
| * 24 x 24 (609 x 609) | 1 | 15 | 6.8 |
| * 24 x 30 (609 x 762) | 2 | 20 | 9.1 |
| * 24 x 36 (609 x 914) | 2 | 22 | 10 |
| * 24 x 48 (609 x 1219) | 2 | 28 | 12.7 |
| * 30 x 30 (762 x 762) | 4 | 23 | 12.7 |
| * 36 x 36 (914 x 914) | 4 | 31 | 14.1 |



Rough wall opening is door size + 1/4" or + 6mm

*Piano hinge on doors over 24 inches (height or width) - The LHD model is recommended for over 1296 sq. inches

DESCRIPTION AND MATERIAL SPECIFICATION

- Material:** 16 stainless steel Type 304
- Hinge:** hidden pin hinge
continuous piano type on doors over 24" (height or width)
- Lock / latch:** screwdriver operated cam latch
- Finish:** # 4: satin/brushed finish
- Packaging:** individually wrapped, 1 per box

POPULAR OPTIONS:

- Lock / latch:** key operated cylinder cam latch, hex head cam latch, pinned hex head cam latch, handle operated cam latch, mortise preparation for cylinder.
- Gasketing:** neoprene gasket (factory installed)

PROJECT DATA

| PROJECT NAME: | QTY | W | H | OPTIONS |
|-----------------------|---|---|---|---------|
| ARCHITECT: | | | | |
| DEALER: | | | | |
| CONTRACTOR: | | | | |
| LOCATION: | SPECIAL INSTRUCTIONS: | | | |
| DATE: | | | | |
| TAGGING INSTRUCTIONS: | SUBMITTAL APPROVAL: (signature or stamp) | | | |