

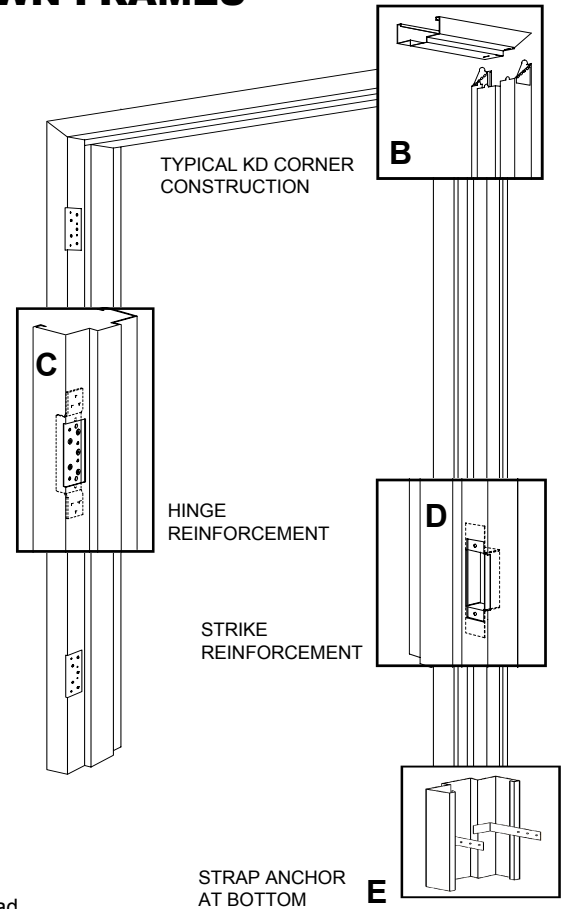
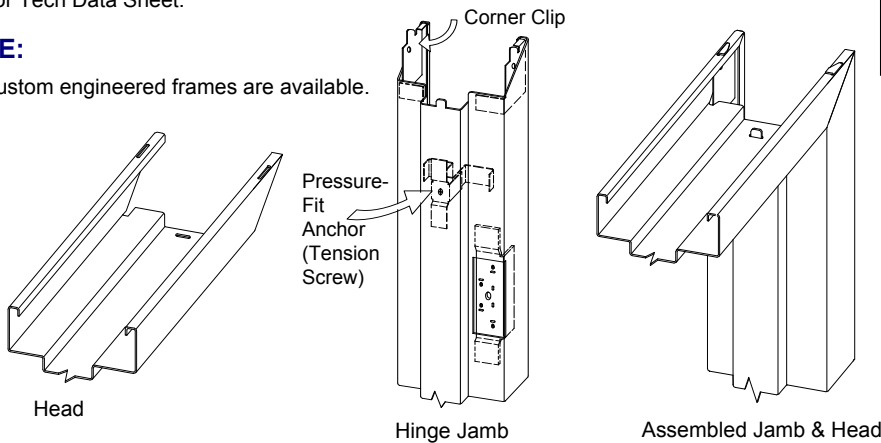
TYPICAL MDI® HM KNOCK-DOWN FRAMES

TYPICAL HM FRAME CONSTRUCTION:

- A: Gauge:** 16 ga (standard), 14 ga (heavy duty), 12 ga (extra heavy duty)
- A: Steel:** A40 Galv, A60 Galv, G90 Galv, Stainless Steel (type 304 & 316)
- B: Knock-Down:** Knock-down corner construction
- C: Hinge Reinf:** 10 gauge high frequency dual purpose hinge reinforcement with return bend for added strength and rigidity. Hinge reinforcements can be easily field converted to accommodate heavy weight hinges. 7 gauge reinforcements are available.
- D: Strike:** 18 gauge ASA strike reinforcement with closed back.
- E: Floor Anchor:** 18 gauge floor anchor. Shown for new construction application.
- Wall Anchor:** Pressure-fit screw (tension screw) at top and drywall straps at bottom are standard. A variety of wall anchors (not shown) are available. Contact MDI® for Wall Anchor Tech Data Sheet.

NOTE:

- Custom engineered frames are available.



GENERAL SPECIFICATIONS:

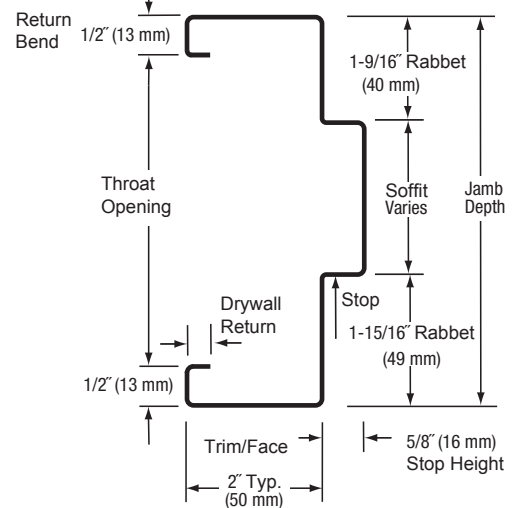
- Standard KD frames have our typical knock-down corner construction.
- Frames are mortised, reinforced, drilled & tapped for templated mortise hardware.
- Frames are reinforced (only) for surface applied hardware. All drilling/tapping is by others.
- Hinge and strike jambs are supplied with appropriate wall and floor anchors as required. Pressure-fit screw (tension screw) at top and drywall straps at bottom are standard.
- All frames will have silencer preps (except stainless steel). 3-preps on single swing in strike jamb and 2-preps on pair-swing frames in head
- Head and jamb mitre (45-degree) will shown as a hair-line seam once installed properly.
- Other anchor options are available. Contact MDI® for more details.
- Finish painting of frames by others.

Fire Labeling

- Metropolitan fire labeled steel frames are approved by both Intertek Testing Services (ITS/ Warnock Hersey) and Underwriters Laboratories (UL) Fire Labeling programs. Fire labeled steel frames must be installed with an equivalent fire labeled door with approved fire listed hardware. Some restrictions do apply. Contact MDI® for more details.



Standard MDI® Double Rabbet Frame Profile. Other profiles are available.



Metropolitan Door Industries Corp.
350 Thorens Avenue
Garden City Park, NY 11040

Toll Free: 888.MDI.DOOR (888.634.3667)
Phone: 516.294.1801
Fax: 516.294.1828

www.metropolitandoor.com

