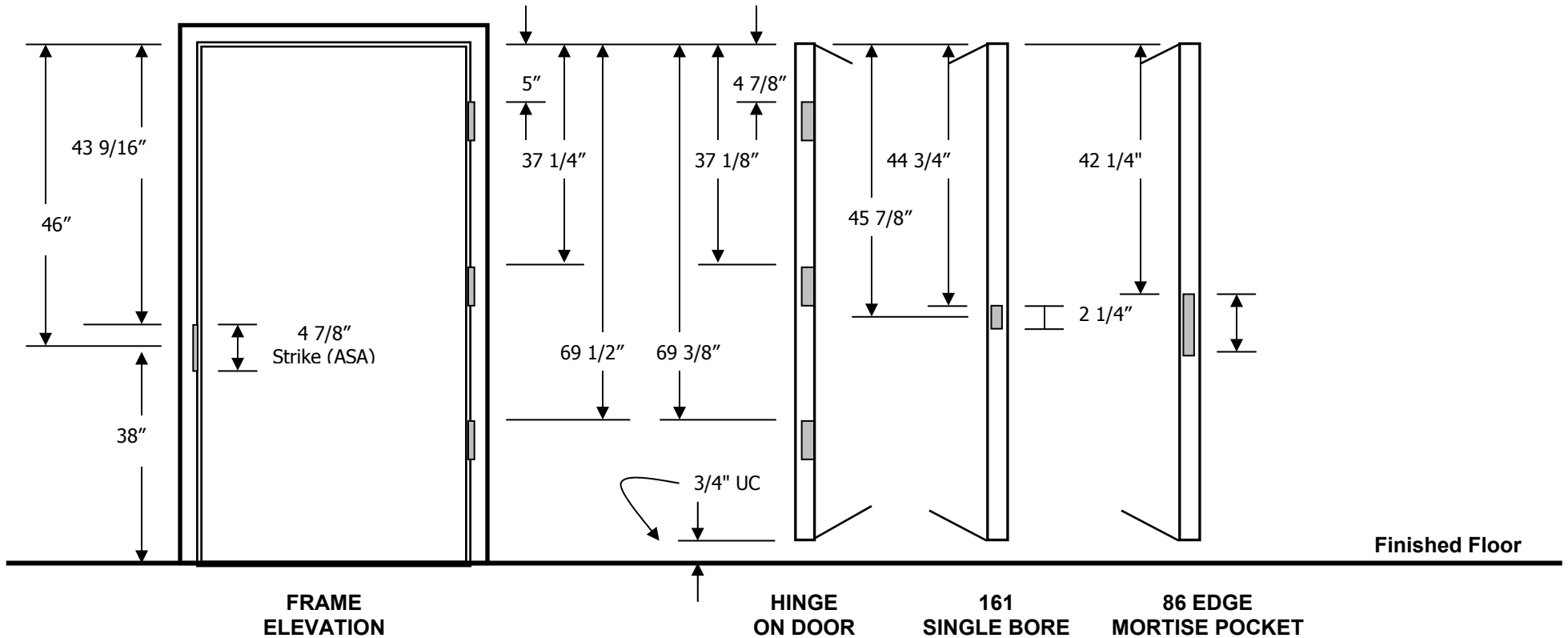




7'-0" Nominal Door & Frame
(Standard Doors & Frames*)

350 Thorens Avenue
Garden City Park, NY 11040
Tel: 516.294.1801
Fax: 516.294.1828
www.metroplitandoor.com



* Custom Engineered Doors & Frames are available.

METROPOLITAN DOOR INDUSTRIES

Date: MAY, 2002	Drawn By: JS	Scale: NONE	Title: METROPOLITAN STANDARD HARDWARE LOCATIONS: 7' - 0"	Hinge: 4 1/2" HINGE
---------------------------	------------------------	-----------------------	--	-------------------------------