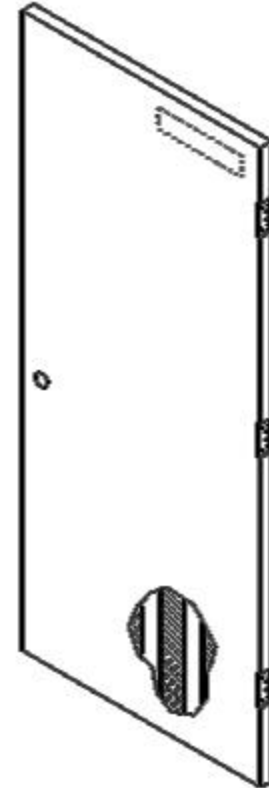


RESTRICT DOOR

2" RESTRICT DOOR SECURITY SYSTEM
Vertically Steel Stiffened, Seamless Steel Doors, Beveled Hinge & Lock Edges, Handed, Welded Frames with Invisible Corners

RESTRICT DOOR FEATURES

- ◆ 2" (50.8mm) thick Custom Construction; Seamless Design - rated for Extra Heavy-Duty or Maximum duty, interior or exterior use.
- ◆ Designed for openings where detention, retention or security must be addressed such as holding areas in public venues - courthouses, stadiums, shopping centers, casinos.
- ◆ 14 gauge face sheets - standard.
- ◆ Extra strong 18 gage (1.0mm) vertical steel stiffeners placed 4" (101.6mm) apart and welded to the face sheets every 3-1/2" (88.9mm) along their length.
- ◆ Fully welded vertical edge seams for enhanced strength and aesthetic appearance.
- ◆ Fiberglass batt insulation between stiffeners to limit thermal and sound transmission.
- ◆ Lock and hinge edge beveled 1/8" in 2" (1:16).
- ◆ 3/8" Undercut (standard).
- ◆ 12 gage (2.3mm) Closer Reinforcement.
- ◆ 10 gage (3.1 mm) inverted steel end channels welded to both face sheets.
- ◆ 7 gage (4.2 mm) steel hinge reinforcement.
- ◆ Neutral prime base coat.
- ◆ G90 Galvanized steel



AVAILABLE OPTIONS

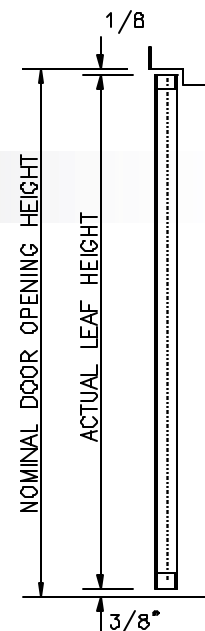
- ◆ 12 gauge face sheets: Level 3 Bullet Resistant (UL 752).
- ◆ ElectroLynx™ pre-wired quick connect cable.
- ◆ Steel end channel filler cap
- ◆ Flush welded glass lite trim kits
- ◆ Fire ratings: 20 min., 45 min., 1 1/2 hour, & 3 hour; some restrictions do apply.
- ◆ Flush molding vision & louver kits; some restrictions do apply.
- ◆ Core Material: Steel Stiffened
- ◆ Thermal Characteristics: U Factor 0.69, R Factor 1.44

PERFORMANCE

- ◆ Sound Transmission: STC 38 (18 gage operable)
- ◆ Physical Endurance

16 Gauge	Level A	1,000,000 cycles
14 Gauge	Level A	1,000,000 cycles
12 Gauge	Level A	1,000,000 cycles

MAX. SIZE AVAILABLE	
Single	4'-0" x 9'-0" (1219 mm x 2743 mm)
Pair	8'-0" x 9'-0" (2438 mm x 2743 mm)



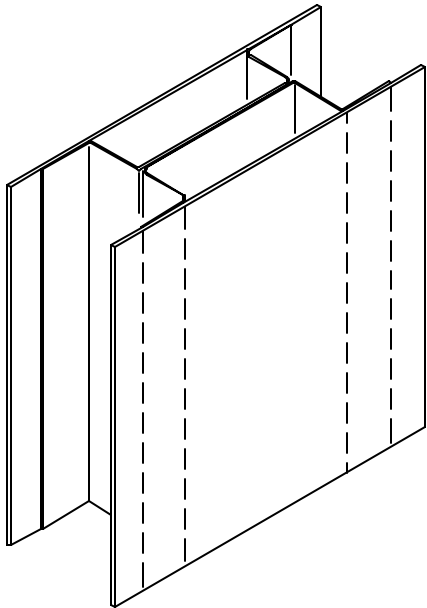
VERTICAL SECTION
Restrict 1

Note: Per NAAMM/HMMA Specifications, some visible spot-welds at steel stiffener locations should be expected. High gloss finishes are not recommended.

RESTRICT DOOR

2" RESTRICT DOOR SECURITY SYSTEM
Vertically Steel Stiffened, Seamless Steel Doors, Beveled Hinge & Lock Edges, Handed, Welded Frames with Invisible Corners

TECH DATA - Compliance & Application



The Restrict Door System is designed for smaller projects where detention and security issues must be addressed.

◆ **Compliance:**

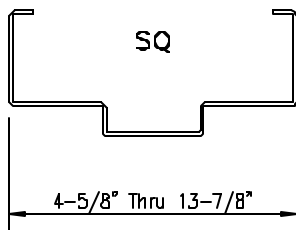
⇒ The Restrict Door complies with ANSI/NAAMM HMMA 863-98, Guide Specifications For Security Hollow metal Doors & Frames. 18 gauge steel stiffeners are placed 4" apart and welded every 3 1/2" along their length. Doors and frames are 14 gauge steel. Optional 12 gauge Level 3 Bullet Resistant per UL Standard For Safety Bullet Resistant Equipment Test: UL 752. Doors prepared with detention Security hardware.

◆ **Application:**

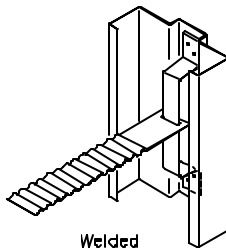
- ⇒ Interior & Exterior:
- ⇒ Holding or Security Areas for:
 - Police Stations
 - Hospitals
 - Court Houses
 - Entertainment Venues
 - Other Municipal Buildings
 - Stadiums

Note: Per NAAMM/HMMA Specifications, some visible spot-welds at steel stiffener locations should be expected. High gloss finishes are not recommended.

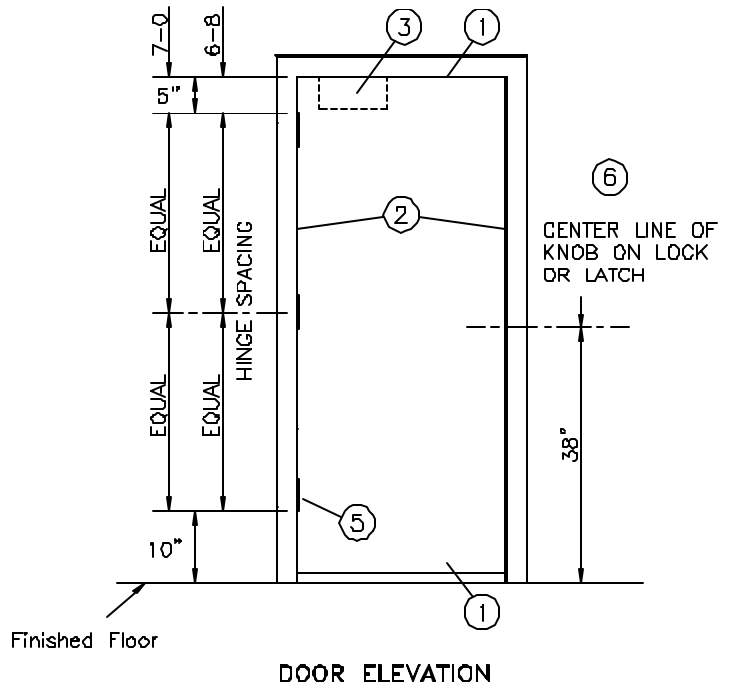
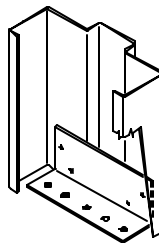
Standard Frame Profile: SQ



Standard Anchor: YS



Standard Floor Anchor



See next page for corresponding section detail numbers.
Restrict 2

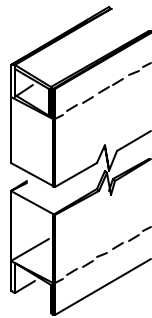
2" RESTRICT DOOR SECURITY SYSTEM
Vertically Steel Stiffened, Seamless Steel Doors, Beveled Hinge & Lock Edges, Handed, Welded Frames with Invisible Corners

TECH DATA - Section Details

10 GAGE STEEL
END CHANNELS
WELDED
TO DOOR

INVERTED TOP CHANNEL
W/STEEL CLOSURE CAP

INVERTED BOTTOM
CHANNEL

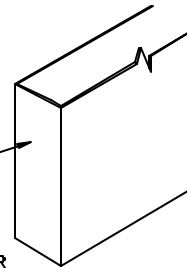


① VERTICAL EDGES

SEAMLESS
VERTICAL
EDGES

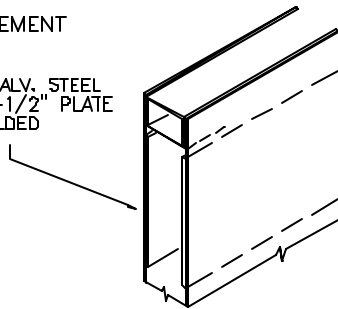
SEAMS WELDED
FULL HEIGHT
GROUND, DRESSED
AND FILLED SMOOTH

EXTRA HEAVY PERIMETER
REINFORCEMENT



CLOSER
REINFORCEMENT

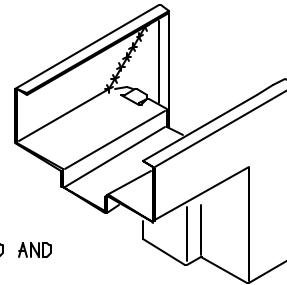
12 GA. GALV. STEEL
19" x 4-1/2" PLATE
SPOT WELDED



③ FRAME CORNER
CONSTRUCTION

V3 WELD

INSIDE FACE WELD AND
FULL WEB WELD



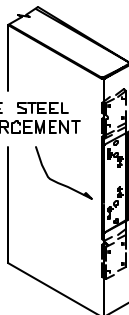
HINGE
PREPARATION

4-1/2" HEAVY WEIGHT
FULL MORTISE HINGES

ANSI 156.7
TEMPLATE

HINGE EDGE IS
HANDLED AND
BEVELED

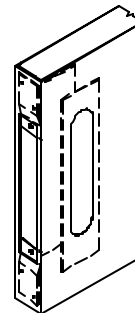
7 GAGE STEEL
REINFORCEMENT



⑤ LOCK
PREPARATION

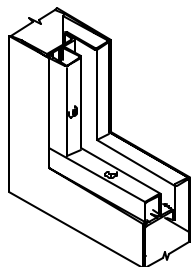
FOR FOLGER ADAMS
70 SERIES OR
EQUIVALENT

LOCK EDGE IS BEVELED
1/8" IN 2" (1:16)



STANDARD GLAZING
TRIM
4884 (FLUSH)

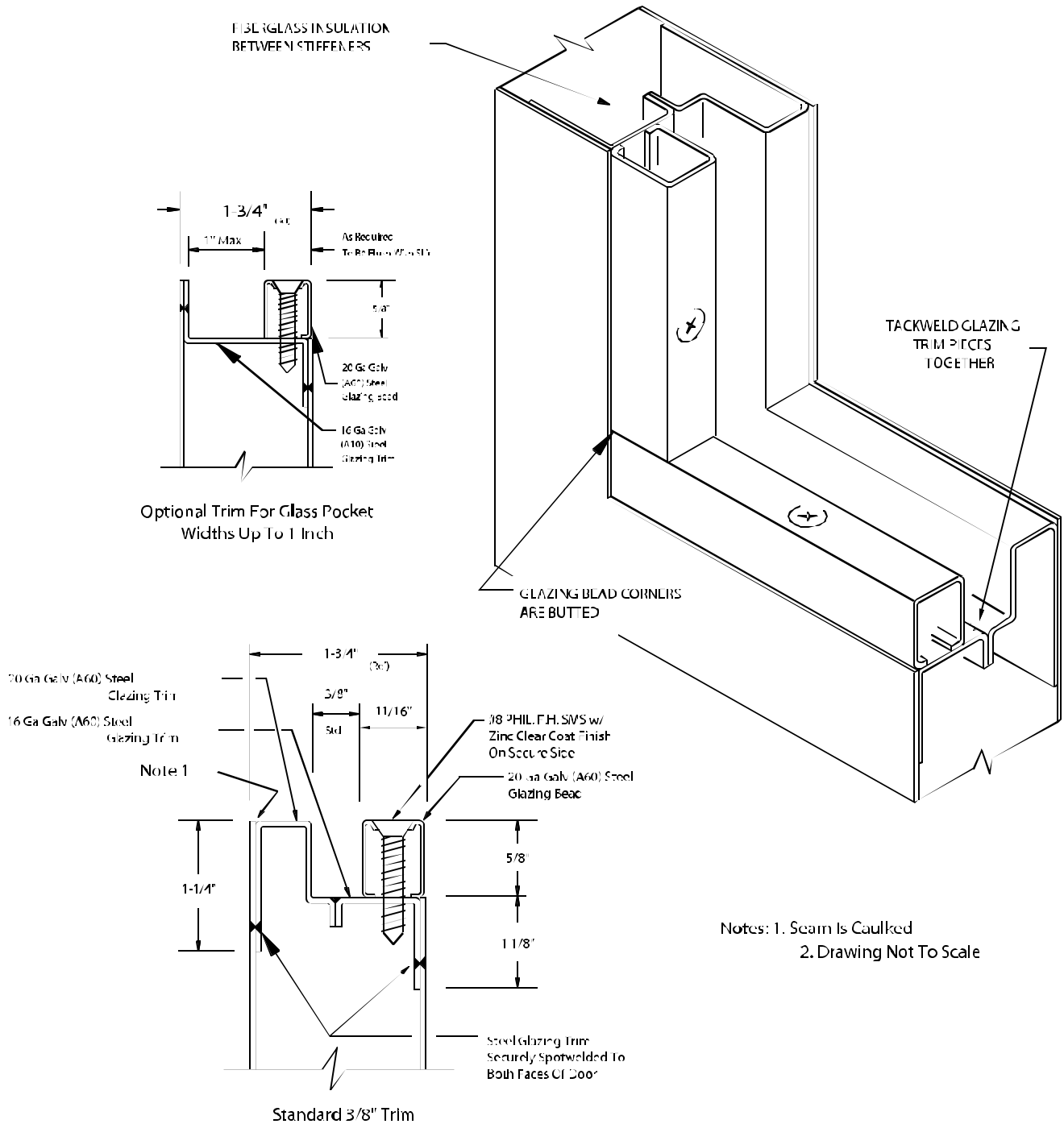
3/8" WIDE
GLAZING
POCKET



Restrict 3

2" RESTRICT DOOR SECURITY SYSTEM
Vertically Steel Stiffened, Seamless Steel Doors, Beveled Hinge & Lock Edges, Handed, Welded Frames with Invisible Corners

FLUSH MOLDING VISION LITE



Restrict 4



RESTRICT DOOR

2" RESTRICT DOOR SECURITY SYSTEM
Vertically Steel Stiffened, Seamless Steel Doors, Beveled Hinge & Lock Edges, Handed, Welded Frames with Invisible Corners

PRODUCT SPECIFICATIONS

STANDARD SIZES NOMINAL DOOR OPENING

WIDTH		HEIGHT
SINGLE	DOUBLE	
2'-0"	4'-0"	6'-8"
2'-4"	4'-8"	
2'-6"	5'-0"	7'-0"
2'-8"	5'-4"	
2'-10"	5'-8"	7'-2"
3'-0"	6'-0"	
3'-4"	6'-8"	7'-10"
3'-6"	7'-0"	
3'-8"	7'-4"	8'-0"
3'-10"	7'-8"	
4'-0"	8'-0"	

FIRE DOORS

LABELING AGENCIES:
<ul style="list-style-type: none"> ■ UNDERWRITERS LABORATORY ■ WARNOCK HERSEY
TEST: UL10B, UL10C UBC 7-2
<ul style="list-style-type: none"> • RATING: 20 MIN THRU 3 HR • MAX. SIZE: <ul style="list-style-type: none"> 40 x 80 SINGLE (WH & FM) 80 x 80 PAIR (WH & FM) 40 x 80 SINGLE (UL) 80 x 80 PAIR (UL)
Not all ratings are available in all sizes, designs and materials. See Fire Door sheet

2" thick steel doors shall be supplied by Metropolitan Door Industries, Garden City Park, NY 11040 (Tel: 888-634-3667)

The Restrict Door Security Door and Frame System complies with ANSI/NAAMM, HMMA 863-98, Guide Specifications For Detention Security Hollow Metal Doors And Frames.

Restrict Door doors are seamless design. Face sheets are commercial quality cold rolled steel (conforming to ASTM A366 or A620 & A568...or (optional) hot-dipped galvanized steel (conforming to ASTM A924 and A653) - see chart below.

Door face sheets are joined at their vertical edge with a center seam that is welded the full height of door. Such welds are ground, filled, and dressed smooth. Seams are invisible and surface is smooth. 18 gage steel vertical stiffeners (other gages optional) are placed no more than 4" apart and welded no more than 3-1/2" along their length. Fiberglass batting insulates the area between stiffeners. Inverted top channel with closure cap and inverted bottom channel are 10 gage steel and are welded to both face sheets.

Restrict Door frames are all welded, 14 gage steel, double rabbet profiles in depths from 45/8" to 13-7/8". Frames include closer reinforcement, heavy duty security hinge reinforcements and welded-in detention 12 gage masonry anchors.

Hardware Provisions: Hinge preparations are handed. Hinge edges are mortised for 4-1/2" or 5" high, heavy weight hinges. 7 gage steel reinforcements are welded inside the door edge and are drilled and tapped for fasteners in accordance with ANSI A156.7. The lock and hinge edge have a standard bevel (1:16). Lock edge is prepared for Gov. series 86, 160/161, or 90 locks in accordance with ANSI A115 (specify which). Closer reinforcement is a 12 gage steel plate.

Paint: 2" steel doors shall be provided with one coat of oven-cured neutral color primer paint. Primer coat shall conform with ANSI A250.10. The primer coat is a preparatory base for necessary finish painting.

MATERIAL

DOOR FACE SHEETS	GRADE	C.R.	GALV. A60	RECOMMENDED DOOR FRAME MATERIAL
14 Gage Steel	Extra Heavy Duty	STD	OPT	14 Gage Steel
12 Gage Steel	Maximum Duty	STD	OPT	14 Gage Steel

Restrict 5